

<b>CE:</b> (Europe) 220-240V - 50/60Hz	SKU: <b>01024053</b>	EAN: 737859240539
<b>UK:</b> (United Kingdom) 220-240V - 50/60Hz	SKU: <b>01024054</b>	EAN: 737859240546
<b>US:</b> (United States and Canada) 110-120V - 50/60Hz	SKU: <b>01024055</b>	EAN: 737859240553
<b>JP:</b> (Japan) 110-120V - 50/60Hz	SKU: <b>01024056</b>	EAN: 737859240560
<b>CCC:</b> (China) 220-240V - 50/60Hz	SKU:	EAN:



### GENERAL



IP20

Product name:	<b>Parrot table lamp</b>
Collection:	THE PARROT PARTY
Mounting:	Table lamp
Finish:	Coral
IP:	20
Use:	Indoor
Environment:	New lamps to add to the already existing The Parrot Party Collection. The refined forms of the pieces contrast with the minute decoration of the birds, the core element of the series.
Installation and assembly:	Follow instructions of the installation guide
Care:	The luminaires require only a light dusting with a soft or microfiber cloth. Dust and polish the bulbs with that soft cloth before dusting the luminaire itself. Clean the porcelain parts in warm, soapy water. For non-porcelain components use only dry soft cloth. Do not use chemicals.



### ELECTRICAL CHARACTERISTICS



Max. Power:	2 x 9W LED (18W)				
Certifications and Marks:	CE (Yes), UKCA (Yes), ETL (No), NOM (Yes), PSE (Yes), CCC (No)				
Lampholder/LED:	Lampholder - Bulb not included				
<b>CE:</b>	G9	2 x G9 Max. 9W LED	220 - 240 V	50/60 Hz	Plug Type C
<b>UK:</b>	G9	2 x G9 Max. 9W LED	220 - 240 V	50/60 Hz	Plug Type G
<b>US:</b>	G9	2 x G9 Max. 9W LED	100 - 125 V	50/60 Hz	Plug Type A
<b>JP:</b>	G9	2 x G9 Max. 9W LED	100 - 125 V	50/60 Hz	Plug Type A
<b>CCC:</b>					
Bulb Limitations:	-				
Class:	II				
Regulation mode:	No dimmable				
Regulation included:	No dimmable				
USB Charge:	No				
LED characteristics (LED only):	-				
Energy efficiency (LED only):	NA				
Risk group (LED only):	NA				
Others:	-				

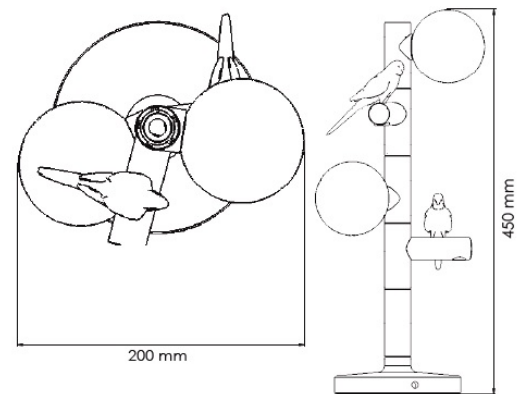
<b>CE:</b> (Europe) 220-240V - 50/60Hz	SKU: <b>01024053</b>	EAN: 737859240539
<b>UK:</b> (United Kingdom) 220-240V - 50/60Hz	SKU: <b>01024054</b>	EAN: 737859240546
<b>US:</b> (United States and Canada) 110-120V - 50/60Hz	SKU: <b>01024055</b>	EAN: 737859240553
<b>JP:</b> (Japan) 110-120V - 50/60Hz	SKU: <b>01024056</b>	EAN: 737859240560
<b>CCC:</b> (China) 220-240V - 50/60Hz	SKU:	EAN:

Product name: **Parrot table lamp**



### PHYSICAL CHARACTERISTICS

General measures (cm):	45 x 20 x 20 cm (Height x Length x Width)
General measures (inch):	17 3/4 x 7 3/4 x 7 3/4" (Height x Length x Width)
Max. Height:	30 cm - 11 3/4"
Min. Height:	30 cm - 11 3/4"
Standard Height:	30 cm - 11 3/4"
Cable / Chain Length:	200 cm - 78 3/4"
Color cable:	Clear (CE), Clear (UK), Clear (US), Clear (JP)
Net weight:	2,00 kg - 4,41 lb
Materials:	Porcelain, Metal, Glass
Support method:	Base
Support measures:	Ø15 cm - Ø6"
Support material:	Porcelain
Support color:	Coral
Accessory type:	Lampshade
Accessory measures:	Ø9 cm - Ø3 1/2"
Accessory material:	Opal Glass
Accessory color:	White



### PACKAGING CHARACTERISTICS

Quantity boxes:	1
Measure box:	(1) 0,57 x 0,28 x 0,27 m - 22 1/2 x 11 x 10 3/4"
Volume box:	(1) 0,04 m <sup>3</sup> - 1,52 ft <sup>3</sup>
Weight box:	(1) 3,00 kg - 6,61 lb
Total Weight:	3,00 kg - 6,61 lb